

EAR TOILET PRO PACK



OPERATING MICROSCOPE

Alltion 8000 LED ENT Microscope

12.5x/18mm High Eye-point Wide-Field eyepieces with diopter locks & integrated eye-point height adjustable eyecups. Eyepiece diameter is big enough with its clear and bright lens

250mm objective lens with fine focusing adjustment

The range of the Diopter of Eyepiece: +/- 6D

250mm objective lens with fine focusing adjustment

The range of pupillary distance: 50mm to 75mm

5-Step Magnifications (3.2x, 5x, 8x, 12.7x, 20x)

with standard 12.5x eyepiece & 250mm objective lens

Lens 200mm, 300mm, 350mm or 400mm with fine focusing lever.

Infinity corrected optical system / coaxial illumination

Dual LED illumination from +/- 4° from stereo illumination

Observation field from 42mm to 16mm for 3-Step, from 65mm to 10mm for 5-Step

Optional magnification are available by combining eyepiece 10x, 16x or 20x & objective

Object Brightness: 45,000.00 Lx Min

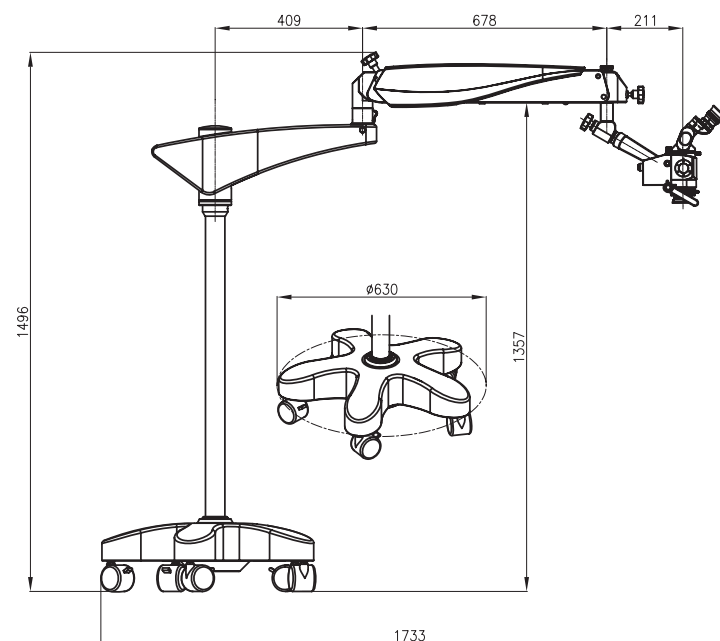
Manual focusing control with adjustable Focus Range of 11mm

Counterbalanced pantographic arm

Easily maneuverable optical head with tension control knobs and 2 handles

Microscope body can be rotated 360° when casters are fixed

The small base must be better to meet small space requirement of clinics



SUCTION & ACCESSORIES

Tongye Suction Unit

- High vacuum, high flow, oil free vacuum pump
- Antibacterial filter
- Anti-overflow Protection Device
- Lower noise, stepless vacuum adjustment
- Multi-function Deployment Optional
- AC Power Supply



Ear Speculum Gruber

Stainless steel. Ear Gruber speculum are used for opening the ear canal for better visualization during cerumen management.



Ear Clear Wax Remover

Code	Description
KEY3806	Ear Clear Ear Wax Remover 12ml
KEY3816	Ear Clear Cleansing Spray 100ml



Suction Controller

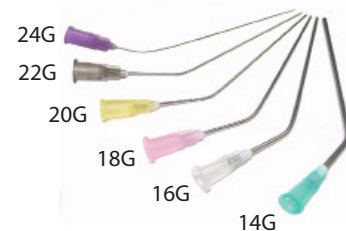
A controller is needed to insert the suction tube and controls the level of suction through thumb vent mechanism.

Code	Description	Colour	Length	Material	QTY
NZ3238100	Semi-Disposable Suction Controller, Non Sterile	Black	39mm	ABS	10

Micro Ear Suction Cannula

Suction tubes for suction of fluid and other media from the ear.

- Suction tubes have colour coded hubs for easy identification of tube size
- Cost-efficient and contamination risk free alternative to reusable versions



Code	Description	Outside Diameter	Colour	Length	QTY
NZ5254Bent	Suction Tube 14 Gauge Bent 100 Pack	2.1 mm	Green	100 mm	100/Pack
NZ5250Bent	Suction Tube 16 Gauge Bent 100 Pack	1.6mm	White	100 mm	100/Pack
NZ5251Bent	Suction Tube 18 Gauge Bent 100 Pack	1.2 mm	Pink	100 mm	100/Pack
NZ5252Bent	Suction Tube 20 Gauge Bent 100 Pack	0.9mm	Yellow	100 mm	100/Pack
NZ5253Bent	Suction Tube 22 Gauge Bent 100 Pack	0.7mm	Grey	100 mm	100/Pack
NZ5255Bent	Suction Tube 24 Gauge Bent 100 Pack	0.5mm	Purple	100 mm	100/Pack



MEDICARE REBATE # 41647	
FEE \$109.90	
Benefit 75%	Benefit 85%
\$82.45	\$93.45



Ph: 1300 009 663 Fax: 1300 099 300
Email: info@zonemedical.com.au
7/22 Mavis Court, Yatala, Qld, 4207
www.zonemedical.com.au